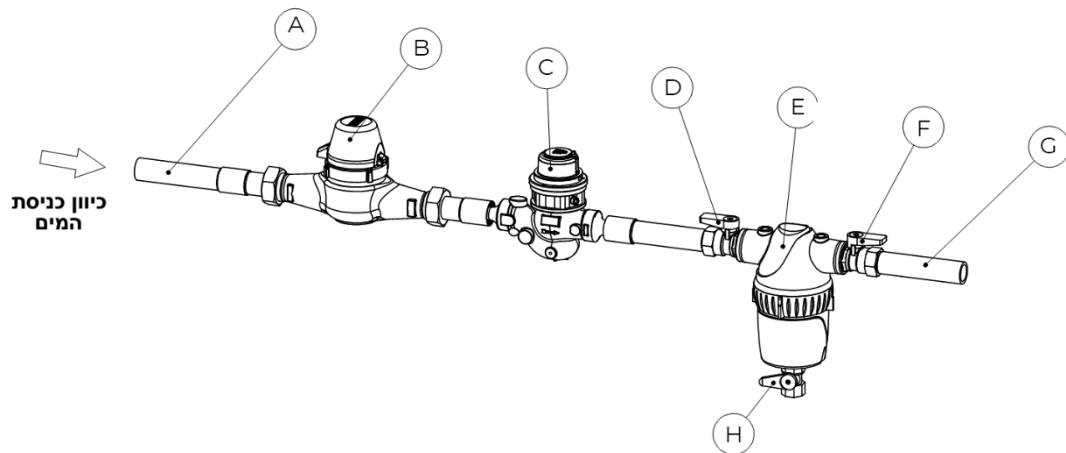
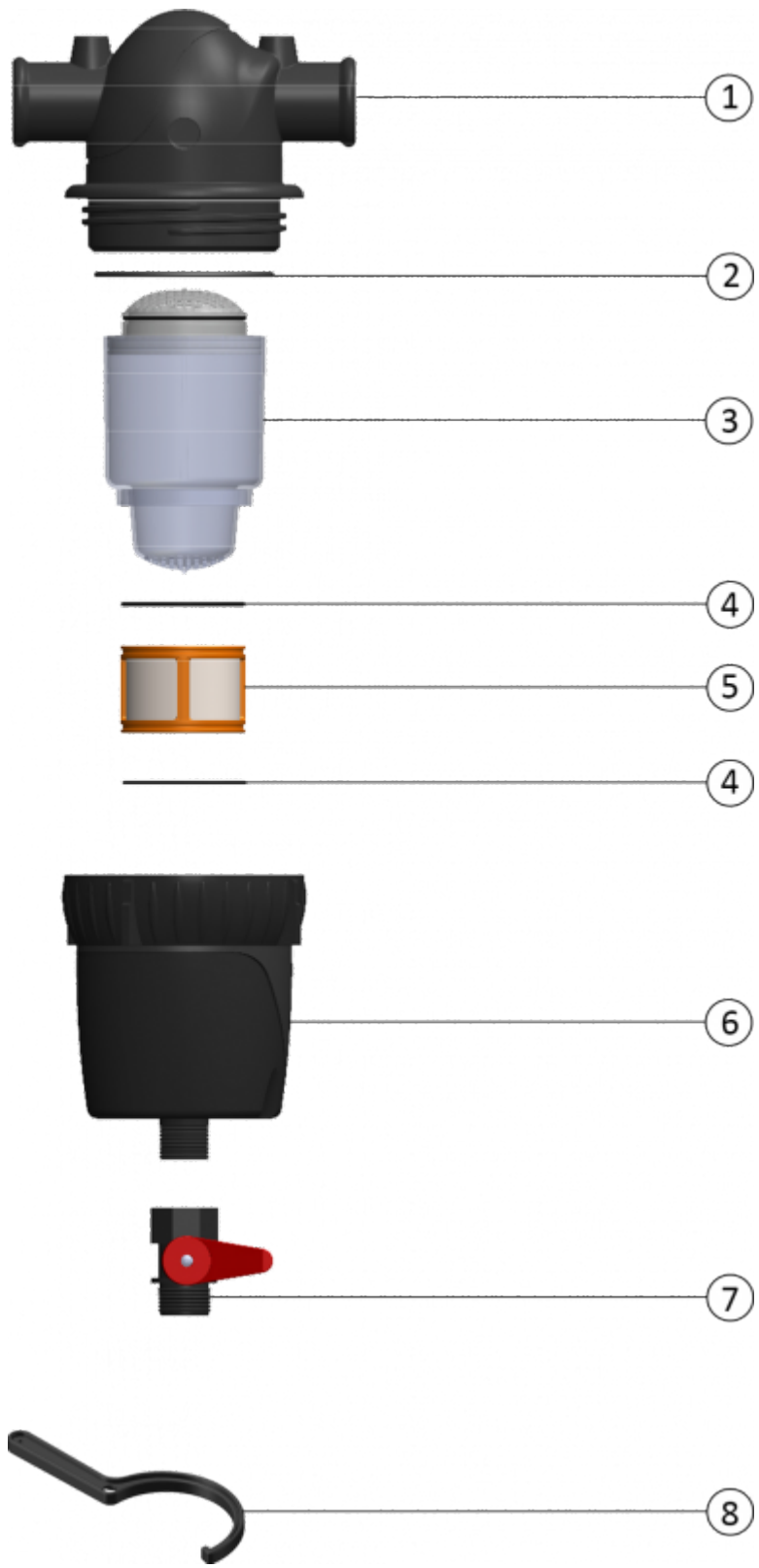


# Amiad Compact Water Conditioner



## Installation drawing

Recommended installation Amiad Compact filter	
#	Description
A	main pipe - inlet
B	residential water meter
C	pressure reducer
D	Filter inlet valve
E	"Amiad Compact" filter model
F	Disconnect valve after filter
G	Inlet pipe to the house
H	filter Rinse and drain valve



Parts specification for Amiad Compact filter למסנן		
#	Description	מק"ט
1	filter housing T "¾	710101-001588
2	O-ring gasket for filter housing T "¾	770102-000455
3	Siliphos cartridge	700190-006328
4	Gasket for screen filter	770102-000565
5	stainless steel 50 micron screen filter	700101-002457
6	Filter housing top part	710101-000510
7	Drain valve(inverted handle)	300005-000006
8	Auxiliary Key	710101-000853

## Installation

The installation will be carried out on the cold water line only. To install the filter in the water line, 10 Teflon sealing film turns are required.

Warning: Do not use linen as a sealant. It is recommended to install valves before and after the filter to allow the water to close for the purpose of cleaning the filter. Wherever the water pressure is higher than 4 bar - a pressure reducer must be installed. It is recommended to install the filter so that the filter body is facing down. Amiad Compact Filter is supplied with a screen filter roller. Note the arrow pointing on the water flow direction, and install the filter accordingly. Make sure that the direction of water flow in the screen filter is from the inside out. Improper flow direction installation or reverse flushing may damage the filter cylinder.

# Cartridge maintenance and replacement

## Cleaning the screen filter

- The filter cylinder in the Amiad Compact filter will be cleaned when the water pressure in the house drops and there may be a risk of a blockage in the filter. In addition, at the time of replacing the siliphos cartridge (once every 4 months), it is recommended to clean the filter mesh.
- The screen must be cleaned with a fine brush and water sprayed on the filter roller from the outside in.

## Replacing the siliphos cartridge

- First read "Warnings and Safety Instructions" • The siliphos cartridge is located inside the filter body above the filter roller.
- Open the filter, remove the old siliphos cartridge (3), separate the filter roller (5) from the cartridge and install a new cartridge.
- Detailed instructions on page "Replacing a cartridge" Maintenance - Disassembly and assembly
  - Warning: Do not open the filter before releasing the pressure trapped in it!
- Close the water supply to the filter. Open the drain valve to release the water pressure trapped in the filter.
  - Open the filter top part (6). Remove the filter roller (5).
    - Rinse the filter roller under a stream of water.
- Replace the filter roller. Make sure that the filter body seal and the filter cylinder seals are in their intended place.
  - Tighten the cover with the auxiliary key (8).
- Open the water inlet valve, making sure there is no leakage.
- If the water flow is stopped for two days or more, drain the water from the filter by closing the valve Enter the filter (D) and open the drain valve (H).
- At the end of the operation, close the drain tap and open the filter inlet valve

## Warnings and safety instructions Warnings and safety instructions

This system is designed to treat drinking water supplied only from a water supply network. When there are notifications from the Ministry of Health or the competent authorities regarding sanitary default, the drinking water should be boiled and followed their instructions. The system releases polyphosphates into the water. People with health problems are advised to consult a physician before using the system. To prevent the culture of microorganisms, care must be taken to follow the manufacturer's instructions for handling and maintaining the system (see Maintenance - Disassembly and Assembly above). System performance was tested under controlled laboratory conditions